

**Metro**  
MEDICAL

High Quality Dental  
Mouth Mirrors & Handles

**Metro**

# Metro Mouth Mirrors & Handles

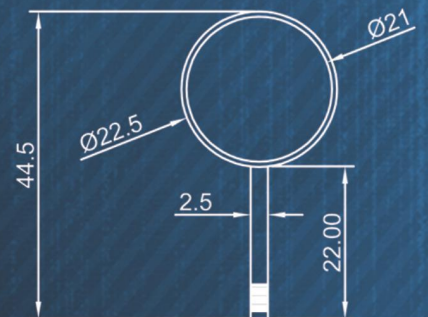
## SIMPLE STEM



Type: Plain  
Article No. DI-DMM-1001  
Size:  $\varnothing$ 16, 18, 20, 22, 24 mm  
Product Details: Simple Stem.



Type: Magnifying  
Article No. MM-1002  
Size:  $\varnothing$ 16, 18, 20, 22, 24 mm  
Product Details: Simple Stem.



Type: Front Surface  
Article No. MM-1003  
Size:  $\varnothing$ 16, 18, 20, 22, 24 mm  
Product Details: Simple Stem.

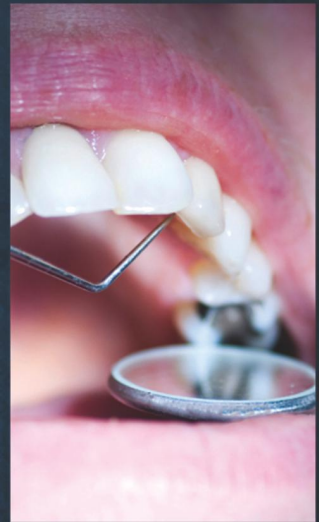


# Metro Mouth Mirrors & Handles

## CONE SOCKET



Type: Plain  
Article No. DI-DMM-1001  
Size:  $\varnothing$ 16, 18, 20, 22, 24 mm  
Product Details: Cone Socket.



Type: Magnifying  
Article No. MM-1002  
Size:  $\varnothing$ 16, 18, 20, 22, 24 mm  
Product Details: Cone Socket.



Type: Front Surface  
Article No. MM-1003  
Size:  $\varnothing$ 16, 18, 20, 22, 24 mm  
Product Details: Cone Socket.

# Metro Mouth Mirrors & Handles

## SIZES



## HANDLES WITH DRAWINGS

